



TECHNICAL SHEET

PACKAGED PRODUCTS

FOLEO
SOFTENERS





FOLEO-5800 XTR SOFTENER PLATFORM 10/15/20/30



TECHNICAL CHARACTERISTICS

- Assembled with 100% Pentair components
- Features Fleck 5800 XTR variable brining valve, up flow regeneration
- Large, touch screen display
- Easy access to settings with the new electronic mounted on cabinet cover
- Inlet/Outlet connections: 1 inch – BSPT, female
- Drain line connection: ½ inch – BSPT, male
- Equipped with automatic disinfection system
- Separate brine tanks from pressure vessel
- Augmented reality capabilities with the Scan and Service label and app
- Removable salt compartment
- Power requirements: 220 VAC/50 Hz
- Water pressure range: 1.5-8 bar
- Water temperature range: 2-38°C
- High quality acid cationic strong resin
- Cabinet body: made in polyethylene high density
- HP Cover: made in ABS
- Certifications: CE, ACS, DM25
- All raw materials are RoHs Reach certified

INTEGRATED STAINLESS STEEL BY-PASS



Simplified and faster initial installation on the inlet and outlet pipe connections: no more expensive, complicated and cumbersome wall pipe bypass.

AUTOMATIC RESIN DISINFECTION



Free superior protection against bacteria proliferation without using any additional chemical treatment.

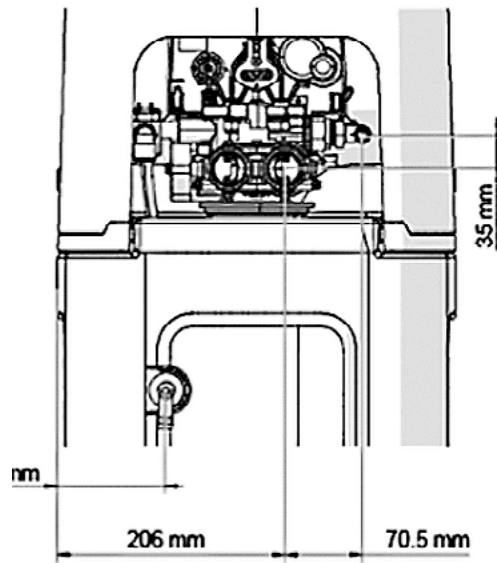
SMART TILTING SALT LID OPENING



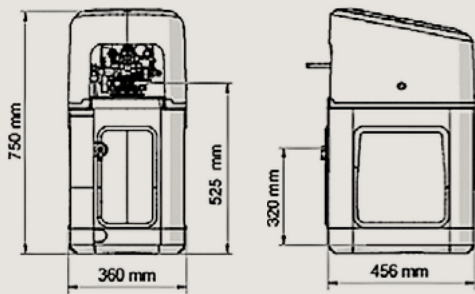
The ergonomic and easy to open salt lid transforms the salt recharge process from a painful operation into an easier and faster one.



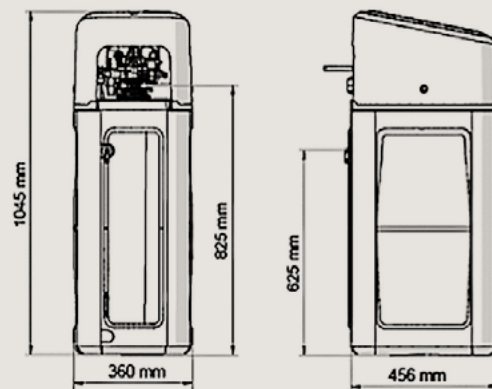
OUTLINE DRAWING



FOLEO 10-15



FOLEO 20-30





TECHNICAL SPECIFICATIONS

	Foleo 10	Foleo 15	Foleo 20	Foleo 30
Code	4000116	4000117	4000118	4000119
Resin volume (L)	10	15	20	28
Number of people	1 - 2	3 - 4	5 - 6	7 - 8
Nominal flow rate (m ³ /h)(residual hardness 0°F)	0.60	0.90	1.20	1.68
Nominal flow rate (m ³ /h)(residual hardness 5-10°F)	0.72	1.08	1.44	2.02
Peak flow rate (m ³ /h)(residual hardness 5-10°F)	1.00	1.50	2.00	2.80
Salt dosage g/Resin	80	80	80	80
Maximum salt amount per regeneration (kg) *	0.8	1.2	1.6	2.24
Softener Capacity °F/m ³	48.4	72.6	96.8	135.52
Capacity in m ³ for 30°F inlet water hardness and 10°F residual hardness setting	2.42	3.63	4.84	6.78
Maximum yearly salt savings % versus a standard <i>Regenerating with 80 g/Resin calendar override set on 4 days. reserve at 20%. softener</i>	50%			
Stainless steel bypass	included			
Disinfection system	included			
Removable salt compartment	included			
Salt compartment capacity (kg)	15	25		
System interface	Touch screen monitor			
Packaging dimension (WxLxH) mm	400x600x760		400x600x1200	
Packaging approx. weight (Kg)	12	18	24	35
Product overall dimension (WxLxH) mm	360x456x750		360x456x1045	
Quantity per pallet and multiple order quantity (pc)	10		5	
Pallet dimensions (WxLxH) mm	1000x1200x1720		1000x1200x1400	

Note: this example is calculated for a salt dosage for 80 g/Lresin. Should the inlet hardness be greater the 30°F it may be required to increase the salt dosage to obtain proper resin bed regeneration. The same simulation with 120 g/Lresin lead to an estimated average salt saving of 35.5%, while the same simulation done at 160 g/L lead to an estimated salt saving of 50%.

* Foleo is featured with variable refill therefore the salt quantity required is calculated by the controller at each regeneration start. This maximum amount corresponds to cases where 100% of the capacity would have been exhausted or to what a standard softener without variable refill would consume.



www.pentairaquaeurope.com